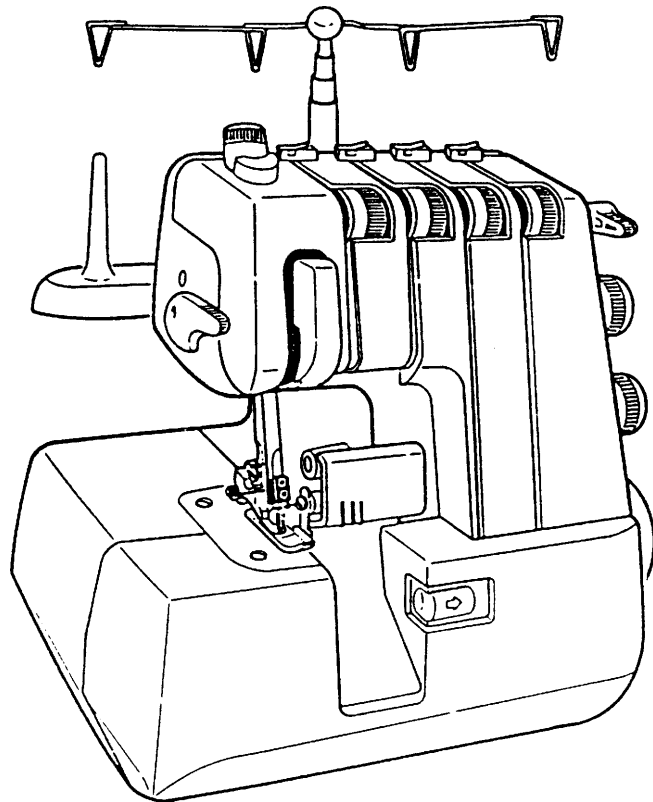


# Spare Parts

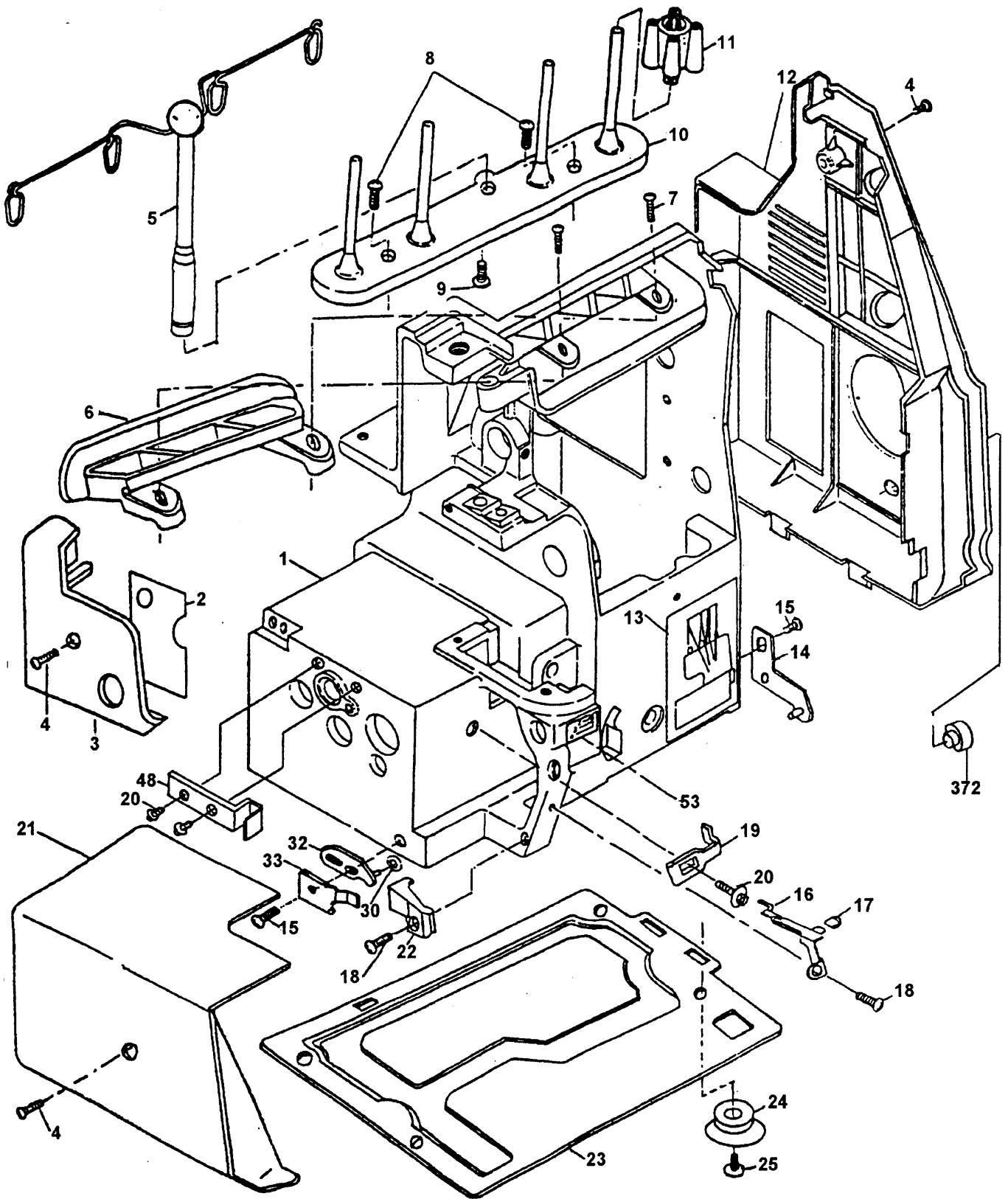


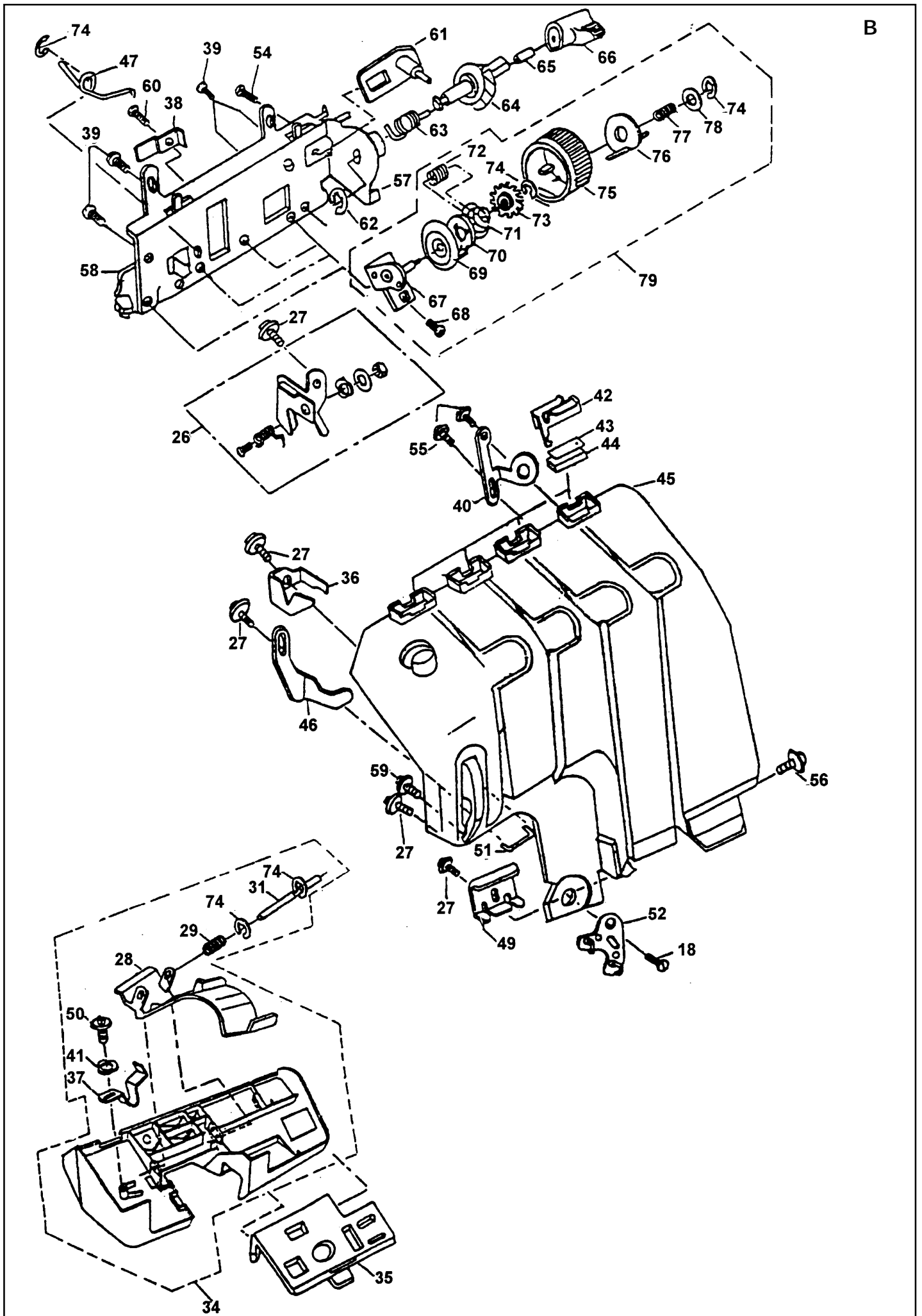
## Husqvarna Huskylock 460 D,460 ED



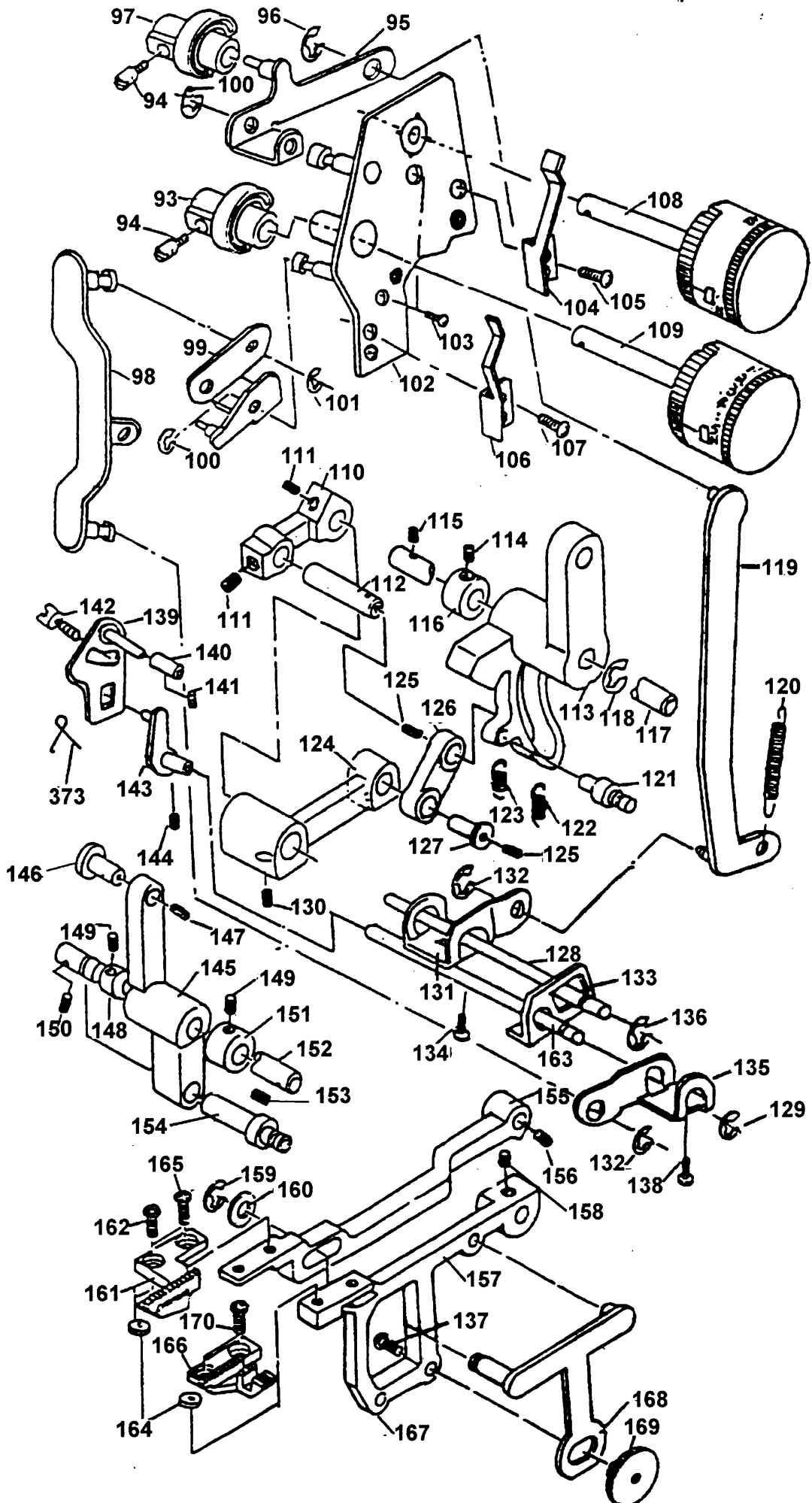


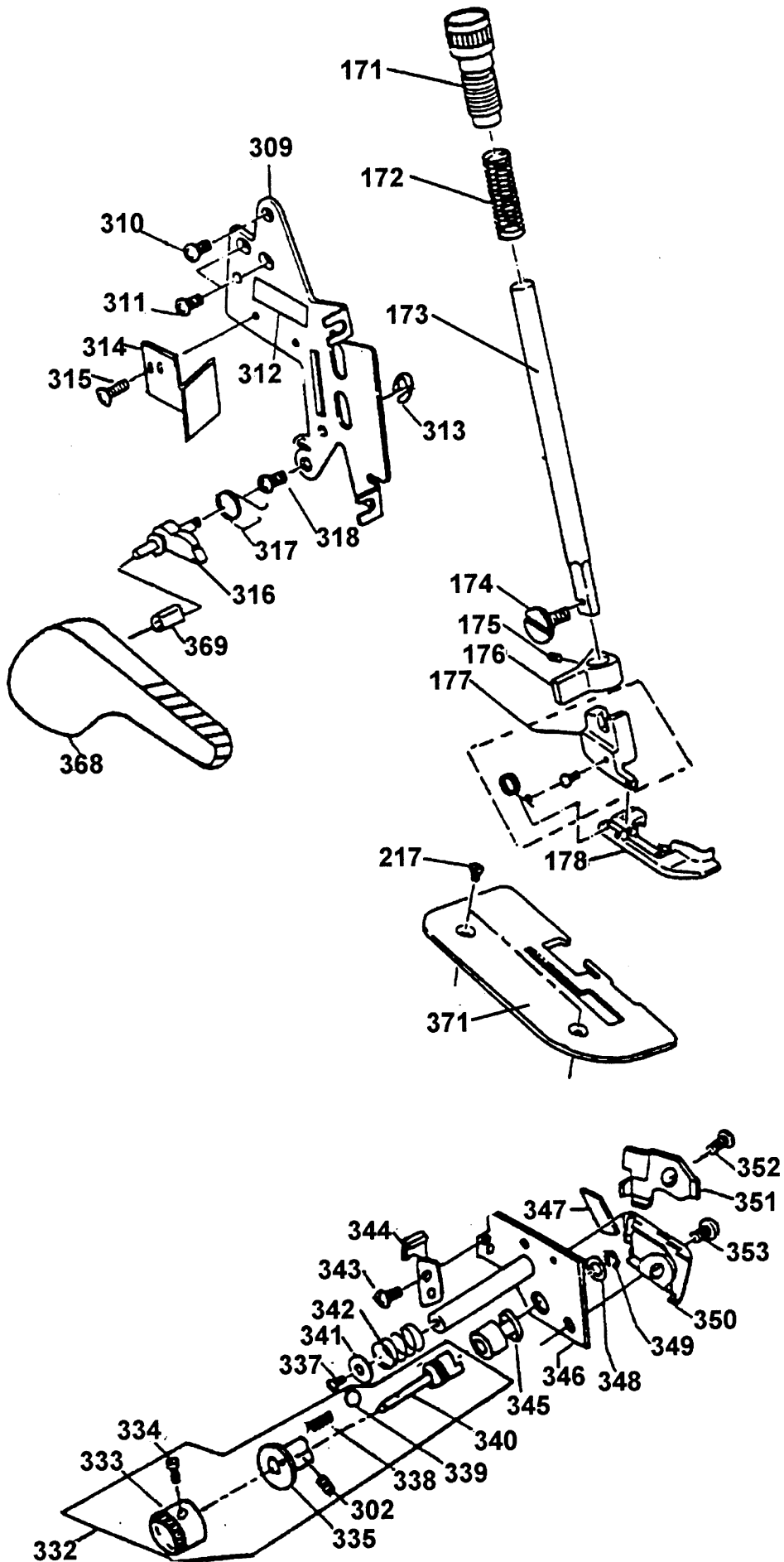
A



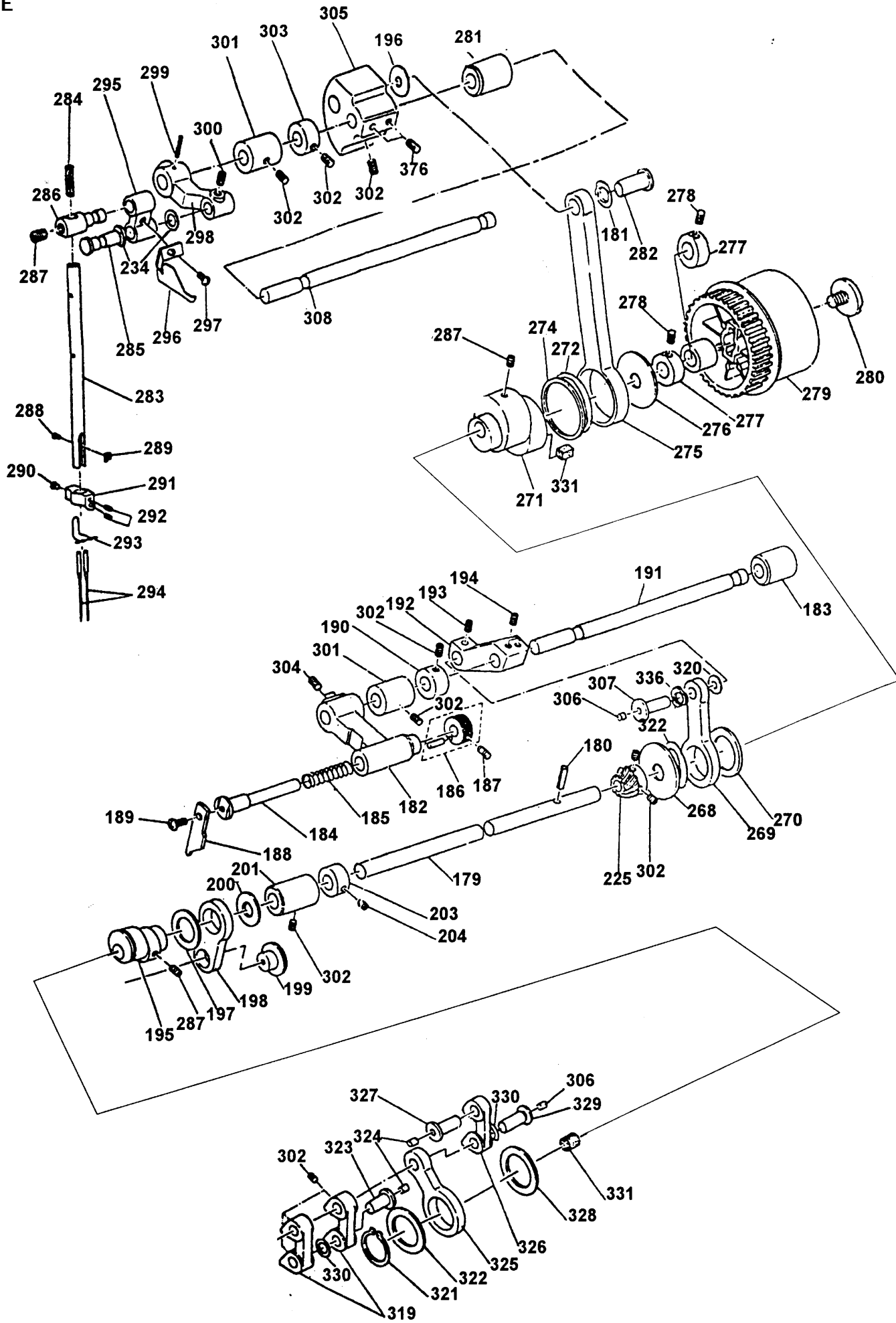


C



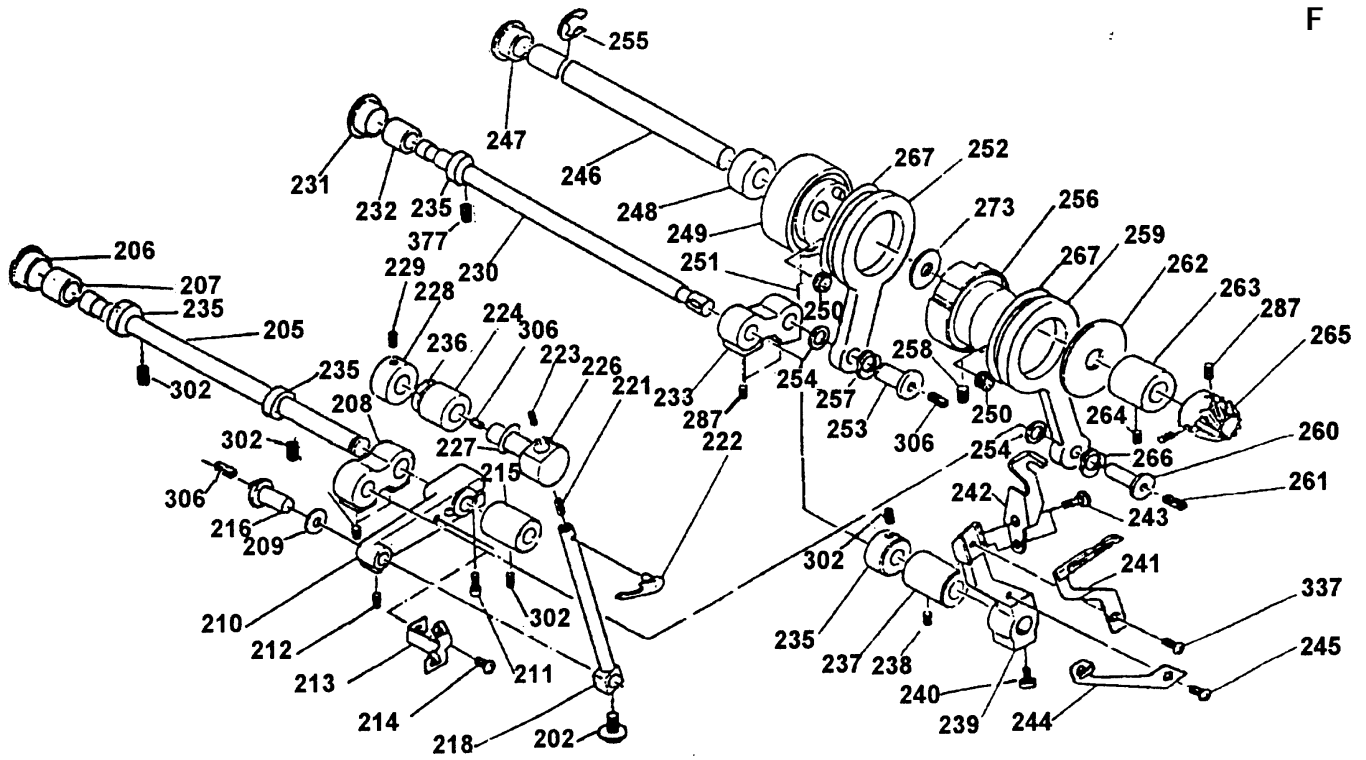


E

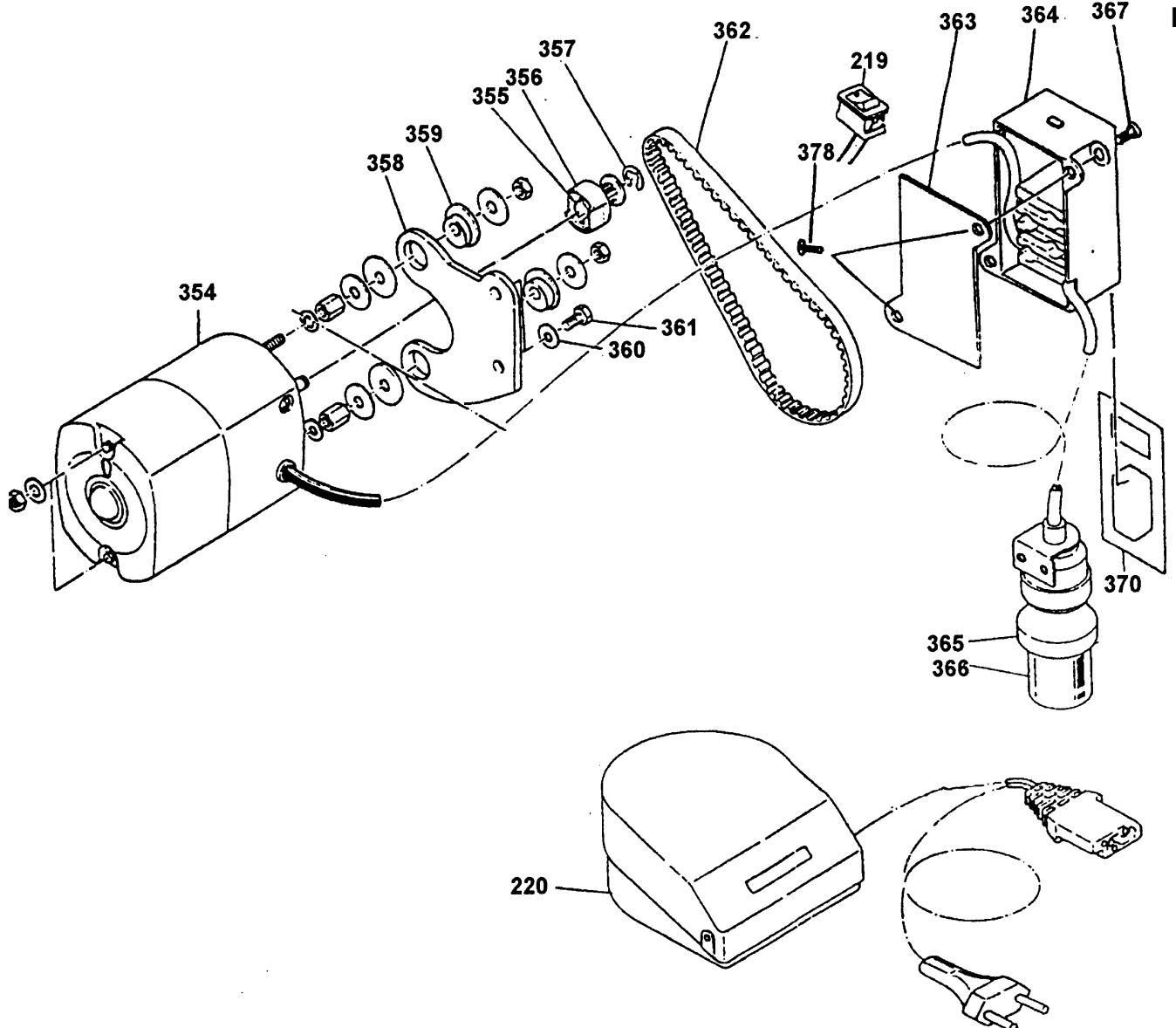




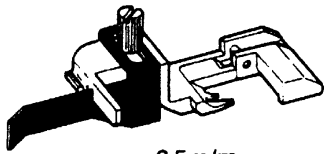
F



H

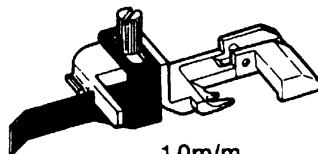


G



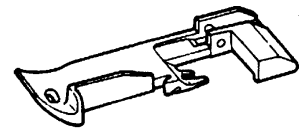
0.5m/m

415 50 86-01  
Blindhem foot 0,5 mm

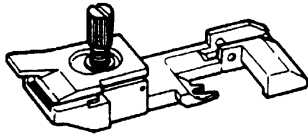


1.0m/m

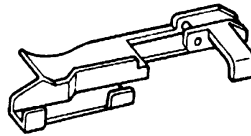
415 50 87-01  
Blindhem foot 1,0 mm



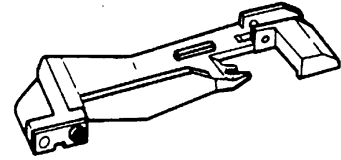
415 51 03-01  
Piping foot



415 50 94-01  
Elastic foot



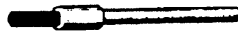
415 51 09-01  
Pearl foot



415 51 02-01  
Shirring foot



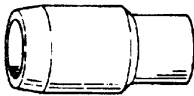
415 50 91-01  
Accessory box



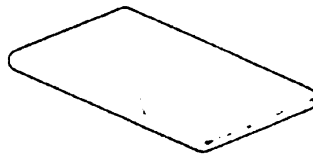
401 55 55-01  
Brush



415 50 84-01  
Lower cutter



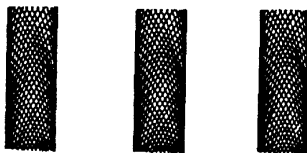
415 50 93-01  
Bulb change tool



415 50 92-01  
Dust cover



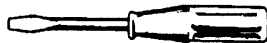
411 31 17-01  
Needles 2x70,  
6x80, 2x90.



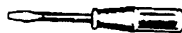
415 50 82-01  
Net



415 50 89-01  
Oiler



412 28 90-02  
Screw driver medium



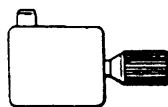
412 28 90-01  
Screw driver small



415 50 88-01  
Tweezers



415 50 90-01  
Spool guide -L-



411 17 52-01  
Service tool



415 53 69-01  
Service tool